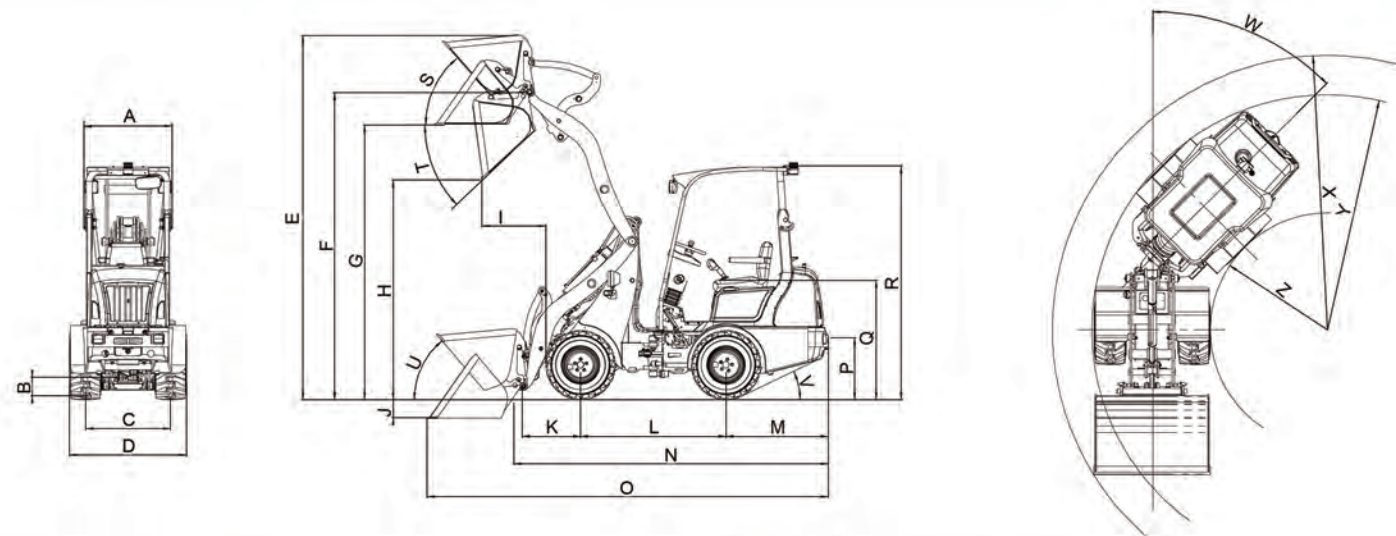


# 810 WHEEL LOADER



## TECHNICAL DATA

Model	810 K26 / HK26	810 K33 / HK33
<b>Engine data</b>		
Manufacturer	KUBOTA	KUBOTA
Engine type	D1105	D1105-T
Cylinder	3	3
Max. power (kW)	18.5	24.5
Torque (N.m / rpm)	71.4 / 1600	88.1 / 2000
Capacity (cm <sup>3</sup> )	1123	1123
Cooling	water-cooled	water-cooled
<b>Electrical system</b>		
Operating voltage (V)	12	12
Battery (Ah)	60	60
<b>Weights</b>		
Operating weight (standard) (kg)	1700	1700
Max. lifting force (daN)	1100	1100
<b>Tipping loads in bucket (kg) (according to ISO 8313)</b>		
Lift frame horizontal & machine straight	1000 / 850	1000 / 850
Lift frame horizontal & machine articulated	750 / 550	750 / 550
<b>Vehicle data</b>		
Driving speed (km/h)	0-12	0-12
Capacity of fuel tank (l)	26	26
Hydraulic oil (l)	40	40
<b>Hydraulic system</b>		
<b>Hydraulic driving</b>		
Output (l/min)	84	84
Working pressure (bar)	300	300
<b>Hydraulic operation</b>		
Output (l/min)	32	32
Working pressure (bar)	180	180

## OUTLINE DIMENSIONS

Model	810 K26 810 K33	810 HK26 810 HK33
<b>Dimensions (mm)</b>		
	Standard	Heighten
A Bar width	830	830
B Ground clearance	174	174
C Track width	803	803
D Total width	1110	1110
E Total working height	3440	3440
F Max. height of bucket pivot	2556	2900
G Overhead loading height	2238	2596
H Max. dumping height	1694	2066
I Operating distance for M	482	613
J Digging depth	183	170
K Axle center up to bucket hinge pin	430	550
L Wheelbase	1370	1370
M Rear overhang	960	960
N Total length without bucket	2840	2960
O Total length with standard bucket	3650	3780
P Coupler height	585	585
Q Seat height	1128	1128
R Height to top of ROPS bar	2210	2210
S Rollback angle at max.lifting height	48°	49°
T Max. dumping angle	45°	43°
X Min. turning radius	2530	2590
Y Radius at the outer edge	2220	2220
Z Inside turning radius	1110	1110
U Backroll angle on the ground	48°	50°
V Departure angle	25	25
W Turn angle	45°	45°
<b>Width (mm)</b>		
27X8.5-15	970	970
<b>26X12-12 AS</b>	<b>1110</b>	<b>1110</b>
Values printed in bold indicate the standard tyre equipment.		



## PRODUCT FEATURES

- High performance environmental protection engine imported from Japan
- Whole hood can be overturned, maintenance more convenient
- Safety and comfortable driver protection guard / Cab
- Advanced ergonomic engineering design
- Hydrostatic transmission system
- Quick change with various attachments